

GENERAL NOTES

1. REFER TO STANDARD DRAWING 2171 AND ANY OTHER PROJECT DOCUMENTS FOR CONSTRUCTION REQUIREMENTS.

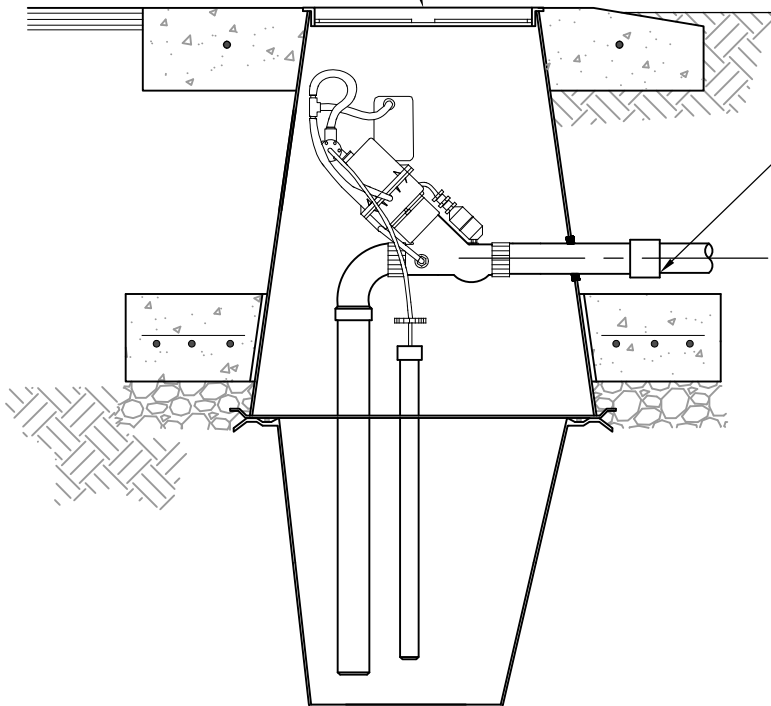
AS-BUILT NOTES

1. BEFORE THE WORK WILL BE ACCEPTED, THE CONTRACTOR SHALL HAVE A PROFESSIONAL SURVEYOR LICENSED IN THE STATE OF NEW MEXICO OBTAIN GPS COORDINATES. USE THE NAD 1983 NM STATE PLANE CENTRAL ZONE FOR X AND Y COORDINATES, AND NAVD 1988 FOR Z COORDINATES. THE GPS RECEIVER SHALL BE "SURVEY GRADE" WITH A HORIZONTAL ACCURACY OF ≤ 2 CM.
2. THE SURVEYOR ON THE PROJECT SHALL FILL OUT ALL OF THE EMPTY FIELDS ON THIS SHEET WITH THEIR GPS DATA AND MEASUREMENTS OBTAINED. THIS INCLUDES:
 - INVERTS EITHER "IN" OR "OUT"
 - INVERT 'IN' ELEVATION(S) AT PIPE CONNECTION(S) TO VALVE PIT (IN FEET TO 0.1')
 - INSIDE PIPE DIAMETERS (IN INCHES)
 - COMPASS DIRECTION OF CONNECTING PIPES
 - HORIZONTAL AND VERTICAL SURVEY COORDINATES (IN NORTHINGS AND EASTINGS) AT THE CENTER OF VALVE PIT LID AT RIM.
 - VALVE PIT RIM ELEVATION (IN FEET TO 0.1')

CENTER NORTHING: _____

CENTER EASTING: _____

RIM ELEVATION: _____'



INVERT _____
 ELEVATION: _____'
 INSIDE DIAMETER _____"
 COMPASS DIRECTION _____

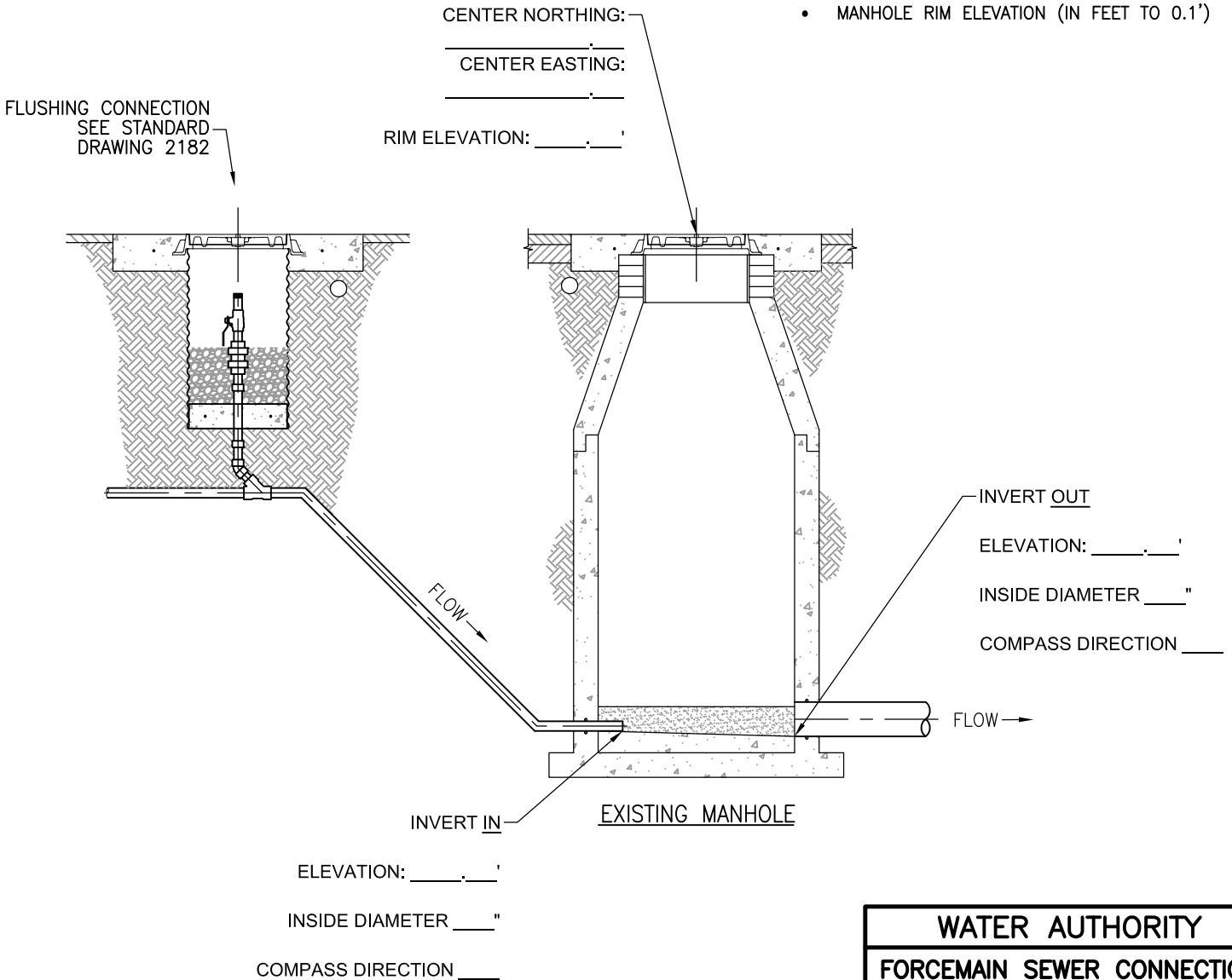
WATER AUTHORITY	
VACUUM SEWER VACUUM VALVE PIT FOR CONNECTION PERMIT	
DWG. 2171 CP	OCT. 2022

GENERAL NOTES

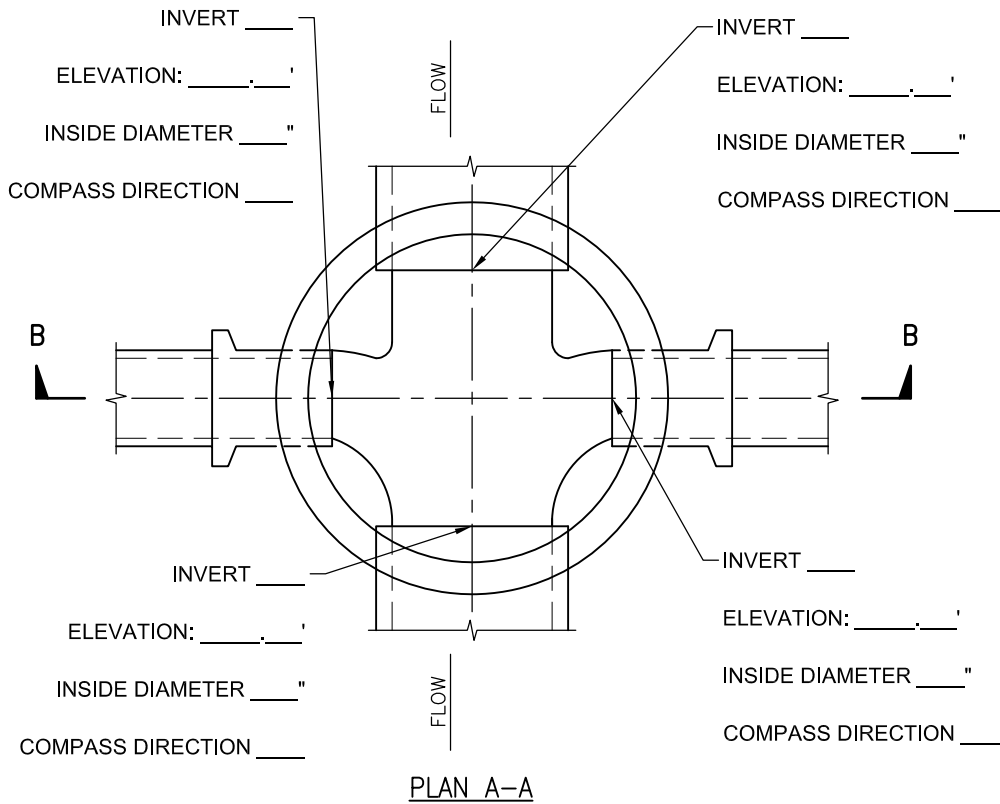
1. REFER TO STANDARD DRAWING 2183 AND ANY OTHER PROJECT DOCUMENTS FOR CONSTRUCTION REQUIREMENTS.

AS-BUILT NOTES

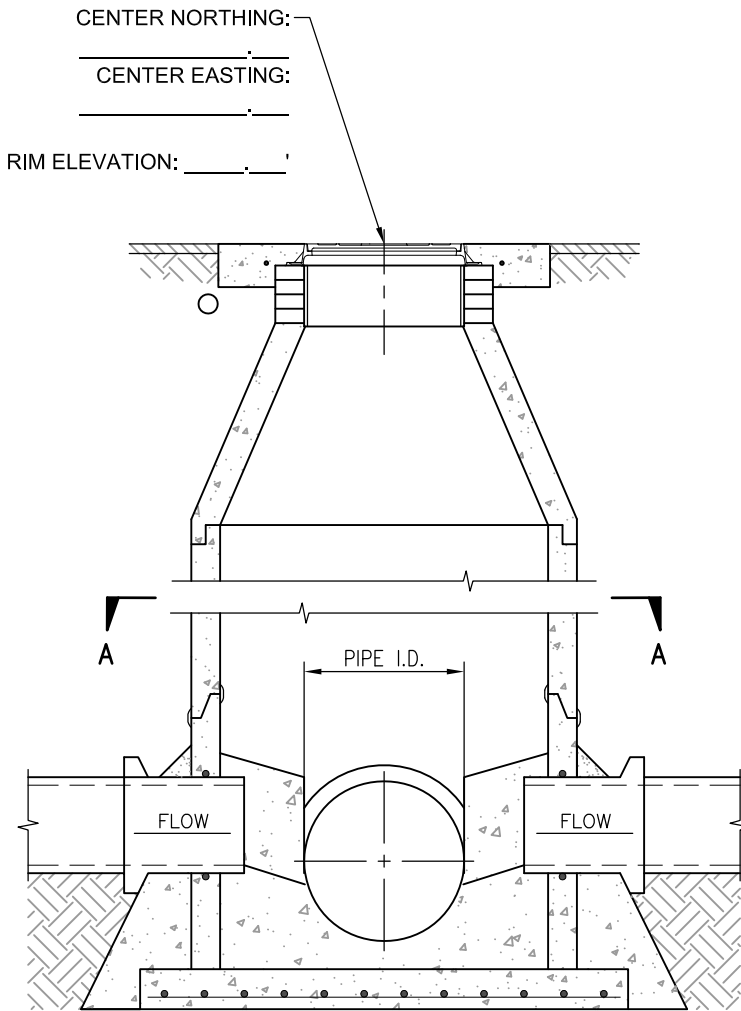
1. BEFORE THE WORK WILL BE ACCEPTED, THE CONTRACTOR SHALL HAVE A PROFESSIONAL SURVEYOR LICENSED IN THE STATE OF NEW MEXICO OBTAIN GPS COORDINATES. USE THE NAD 1983 NM STATE PLANE CENTRAL ZONE FOR X AND Y COORDINATES, AND NAVD 1988 FOR Z COORDINATES. THE GPS RECEIVER SHALL BE "SURVEY GRADE" WITH A HORIZONTAL ACCURACY OF ≤ 2 CM.
2. THE SURVEYOR ON THE PROJECT SHALL FILL OUT ALL OF THE EMPTY FIELDS ON THIS SHEET WITH THEIR GPS DATA AND MEASUREMENTS OBTAINED. THIS INCLUDES:
 - INVERT 'IN' AND INVERT 'OUT' ELEVATIONS AT PIPE CONNECTIONS TO MANHOLE (IN FEET TO 0.1')
 - INSIDE PIPE DIAMETERS (IN INCHES)
 - COMPASS DIRECTION OF CONNECTING PIPES
 - HORIZONTAL AND VERTICAL SURVEY COORDINATES (IN NORTHINGS AND EASTINGS) AT THE CENTER OF MANHOLE LID AT RIM.
 - MANHOLE RIM ELEVATION (IN FEET TO 0.1')



WATER AUTHORITY	
FORCEMAIN SEWER CONNECTION TO GRAVITY SEWER AT MANHOLE FOR CONNECTION PERMIT	
DWG. 2183 CP	OCT. 2022



PLAN A-A



SECTION B-B

GENERAL NOTES

1. REFER TO STANDARD DRAWING 2102 AND ANY OTHER PROJECT DOCUMENTS FOR CONSTRUCTION REQUIREMENTS.

AS-BUILT NOTES

1. BEFORE THE WORK WILL BE ACCEPTED, THE CONTRACTOR SHALL HAVE A PROFESSIONAL SURVEYOR LICENSED IN THE STATE OF NEW MEXICO OBTAIN GPS COORDINATES. USE THE NAD 1983 NM STATE PLANE CENTRAL ZONE FOR X AND Y COORDINATES, AND NAVD 1988 FOR Z COORDINATES. THE GPS RECEIVER SHALL BE "SURVEY GRADE" WITH A HORIZONTAL ACCURACY OF $\leq 2\text{CM}$.
2. THE SURVEYOR ON THE PROJECT SHALL FILL OUT ALL OF THE EMPTY FIELDS ON THIS SHEET WITH THEIR GPS DATA AND MEASUREMENTS OBTAINED. THIS INCLUDES:
 - INVERTS EITHER "IN" OR "OUT"
 - INVERT 'IN' AND INVERT 'OUT' ELEVATIONS AT PIPE CONNECTIONS TO MANHOLES (IN FEET TO 0.1')
 - INSIDE PIPE DIAMETERS (IN INCHES)
 - COMPASS DIRECTION OF CONNECTING PIPES
 - HORIZONTAL AND VERTICAL SURVEY COORDINATES (IN NORTHINGS AND EASTINGS) AT THE CENTER OF MANHOLE LID AT RIM.
 - MANHOLE RIM ELEVATION (IN FEET TO 0.1')
 - ANY INVERTS THAT ARE NOT PRESENT NOR APPLICABLE SHALL BE IDENTIFIED AS "N/A".
3. ADD ARROW HEADS TO LINES BELOW "FLOW" TEXT TO INDICATE CORRECT FLOW DIRECTIONS.

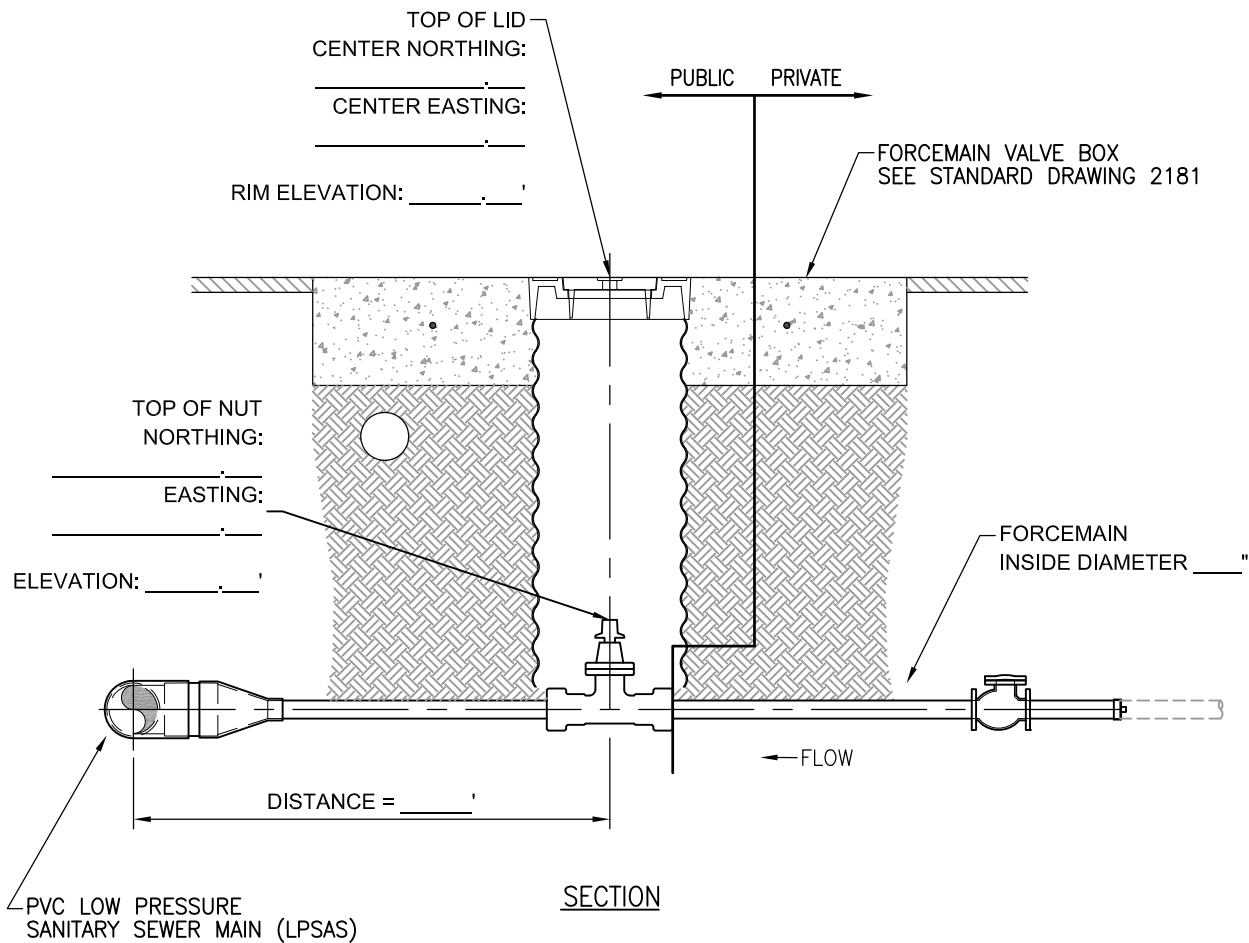
WATER AUTHORITY	
SANITARY SEWER MANHOLE TYPE "E" FOR CONNECTION PERMIT	
DWG. 2102 CP	OCT. 2022

GENERAL NOTES

- REFER TO STANDARD DRAWING 2185 AND ANY OTHER PROJECT DOCUMENTS FOR CONSTRUCTION REQUIREMENTS.

AS-BUILT NOTES

- BEFORE THE WORK WILL BE ACCEPTED, THE CONTRACTOR SHALL HAVE A PROFESSIONAL SURVEYOR LICENSED IN THE STATE OF NEW MEXICO OBTAIN GPS COORDINATES. USE THE NAD 1983 NM STATE PLANE CENTRAL ZONE FOR X AND Y COORDINATES, AND NAVD 1988 FOR Z COORDINATES. THE GPS RECEIVER SHALL BE "SURVEY GRADE" WITH A HORIZONTAL ACCURACY OF $\leq 2\text{CM}$.
- THE SURVEYOR ON THE PROJECT SHALL FILL OUT ALL OF THE EMPTY FIELDS ON THIS SHEET WITH THEIR GPS DATA AND MEASUREMENTS OBTAINED. THIS INCLUDES:
 - DISTANCE FROM SANITARY SEWER MAIN TO FORCEMAIN VALVE
 - INSIDE PIPE DIAMETERS (IN INCHES)
 - COMPASS DIRECTION OF CONNECTING PIPES
 - HORIZONTAL AND VERTICAL SURVEY COORDINATES (IN NORTHINGS AND EASTINGS) AT THE CENTER OF VALVE BOX LID AT RIM.
 - VALVE BOX RIM ELEVATION (IN FEET TO 0.1')
 - ELEVATION OF TOP OF VALVE OPERATING NUT

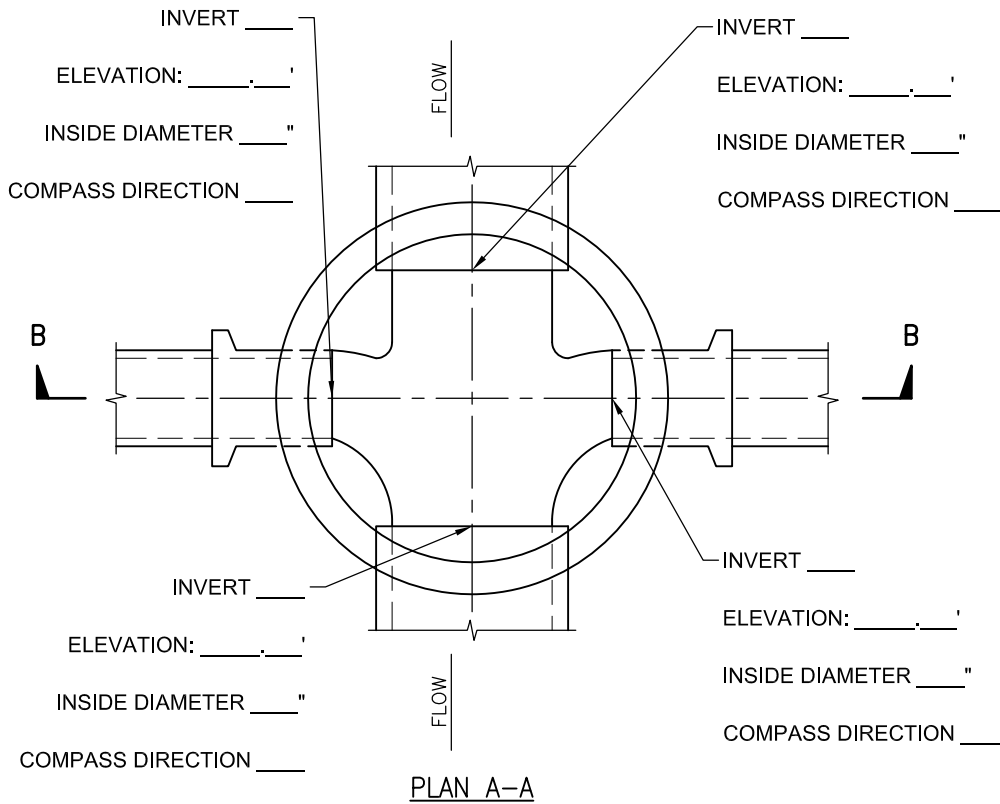


WATER AUTHORITY

FORCEMAIN SEWER
SERVICE LINE VALVE DETAIL
FOR CONNECTION PERMIT

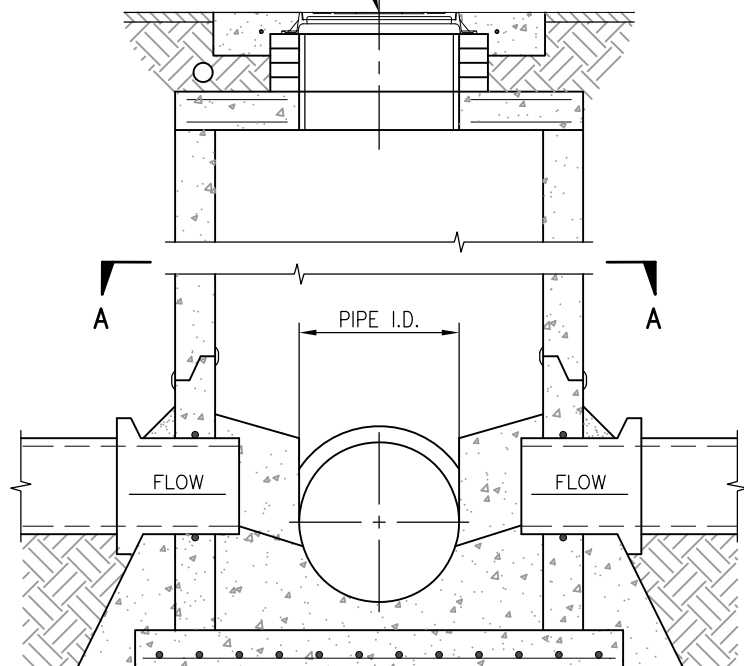
DWG. 2185 CP

OCT. 2022



PLAN A-A

CENTER NORTHING: _____
 CENTER EASTING: _____
 RIM ELEVATION: _____\''



SECTION B-B

GENERAL NOTES

1. REFER TO STANDARD DRAWING 2101 AND ANY OTHER PROJECT DOCUMENTS FOR CONSTRUCTION REQUIREMENTS.

AS-BUILT NOTES

1. BEFORE THE WORK WILL BE ACCEPTED, THE CONTRACTOR SHALL HAVE A PROFESSIONAL SURVEYOR LICENSED IN THE STATE OF NEW MEXICO OBTAIN GPS COORDINATES. USE THE NAD 1983 NM STATE PLANE CENTRAL ZONE FOR X AND Y COORDINATES, AND NAVD 1988 FOR Z COORDINATES. THE GPS RECEIVER SHALL BE "SURVEY GRADE" WITH A HORIZONTAL ACCURACY OF ≤ 2 CM.
2. THE SURVEYOR ON THE PROJECT SHALL FILL OUT ALL OF THE EMPTY FIELDS ON THIS SHEET WITH THEIR GPS DATA AND MEASUREMENTS OBTAINED. THIS INCLUDES:
 - INVERTS EITHER "IN" OR "OUT"
 - INVERT 'IN' AND INVERT 'OUT' ELEVATIONS AT PIPE CONNECTIONS TO MANHOLES (IN FEET TO 0.1')
 - INSIDE PIPE DIAMETERS (IN INCHES)
 - COMPASS DIRECTION OF CONNECTING PIPES
 - HORIZONTAL AND VERTICAL SURVEY COORDINATES (IN NORTHINGS AND EASTINGS) AT THE CENTER OF MANHOLE LID AT RIM.
 - MANHOLE RIM ELEVATION (IN FEET TO 0.1')
 - ANY INVERTS THAT ARE NOT PRESENT NOR APPLICABLE SHALL BE IDENTIFIED AS "N/A".
3. ADD ARROW HEADS TO LINES BELOW "FLOW" TEXT TO INDICATE CORRECT FLOW DIRECTIONS.

WATER AUTHORITY	
SANITARY SEWER MANHOLE TYPE "C" FOR CONNECTION PERMIT	
DWG. 2101 CP	OCT. 2022